

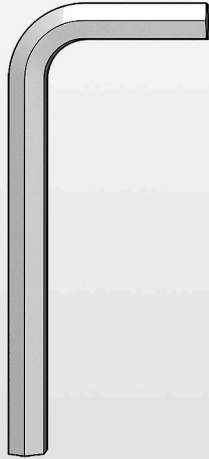
## PILLOWS REPLACEMENT

INSTRUCTION

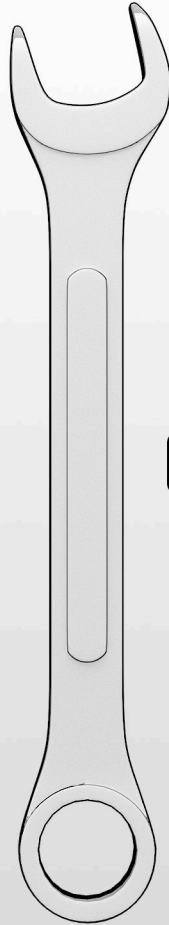
# 01 Tools needed

PILLOWS REPLACEMENT

ALLEN KEY SIZE 4

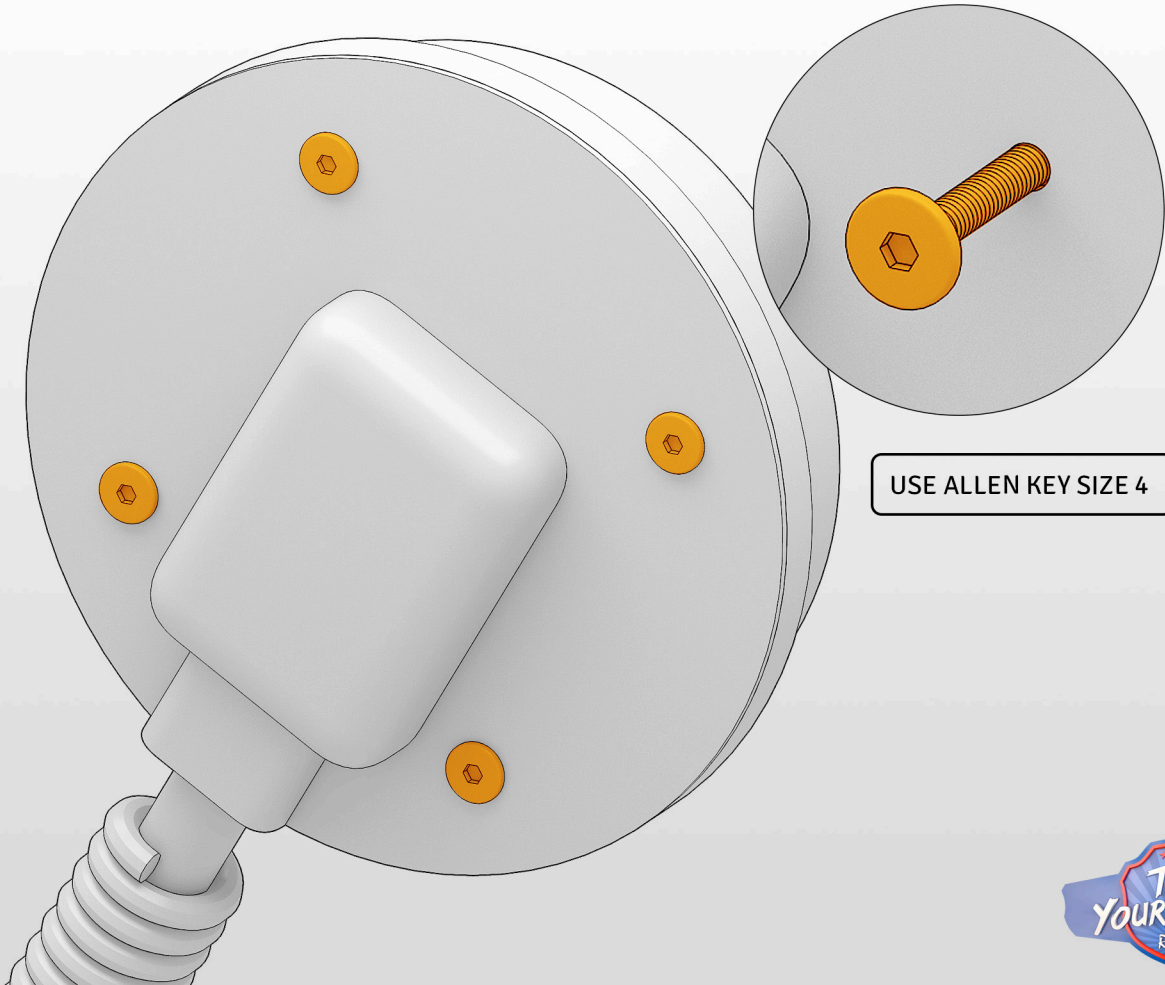


WRENCH NR?



## 02 Unscrew the pillow cover

PILLOWS REPLACEMENT

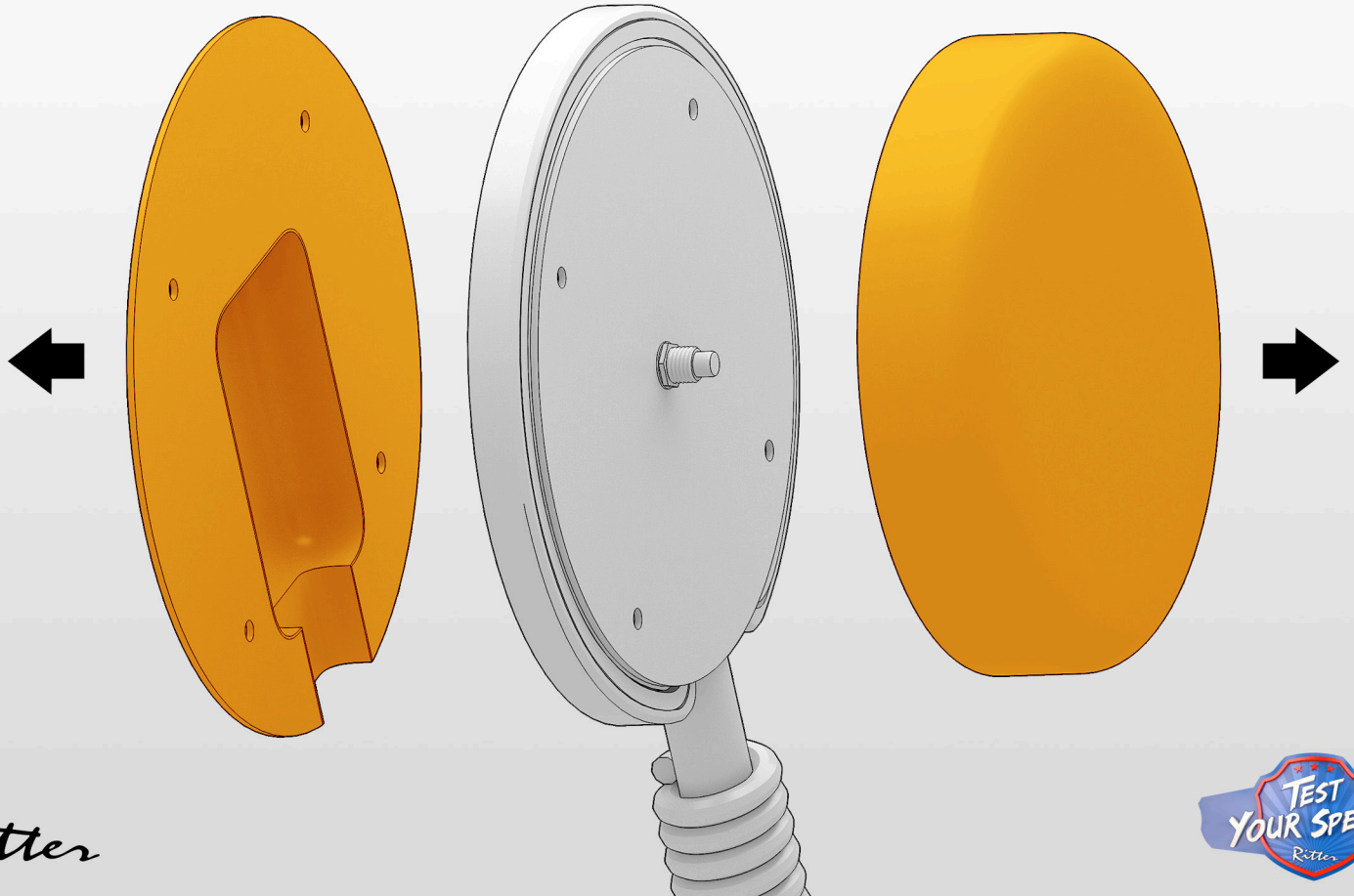


Ritter



### 03 Remove the covers and pillows

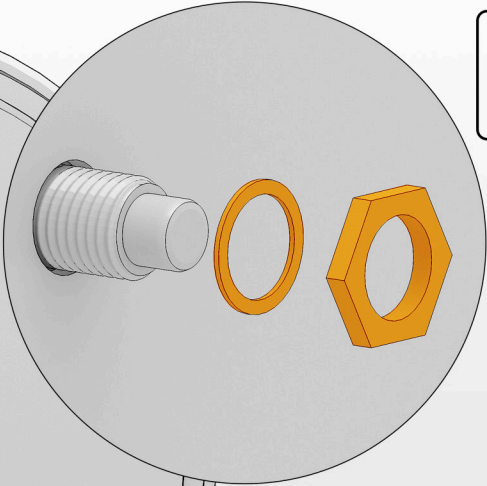
PILLOWS REPLACEMENT



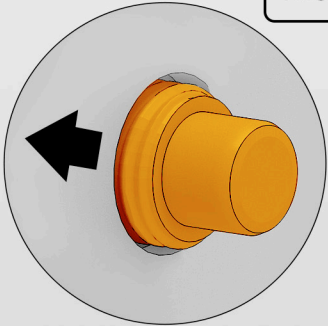
# 04 Adjust the sensors to match new pillows

PILLOWS REPLACEMENT

**UNSCREW THE SENSOR**  
USE WRENCH NR?

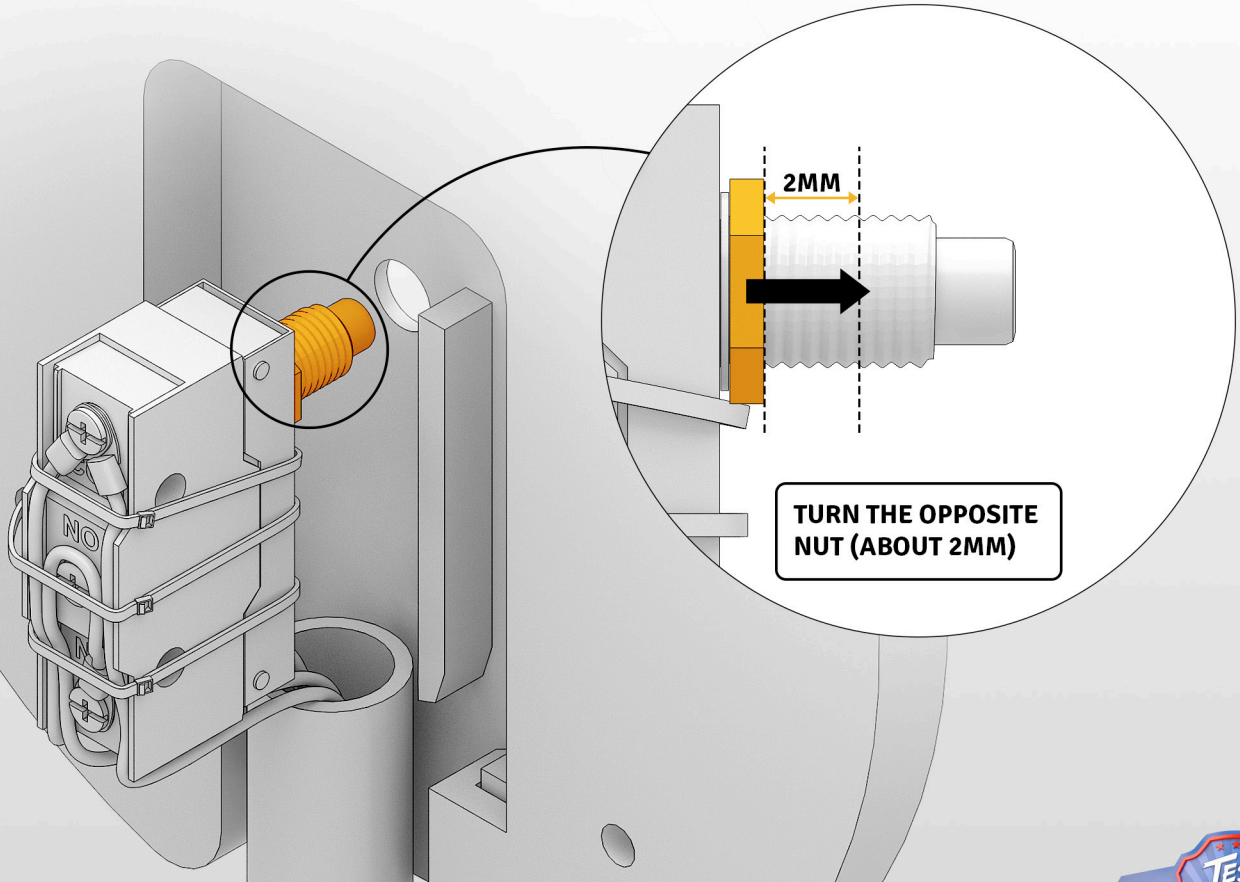


**REMOVE SENSOR FROM MIDDLE HOLE**



# 05 Adjust the sensors to match new pillows

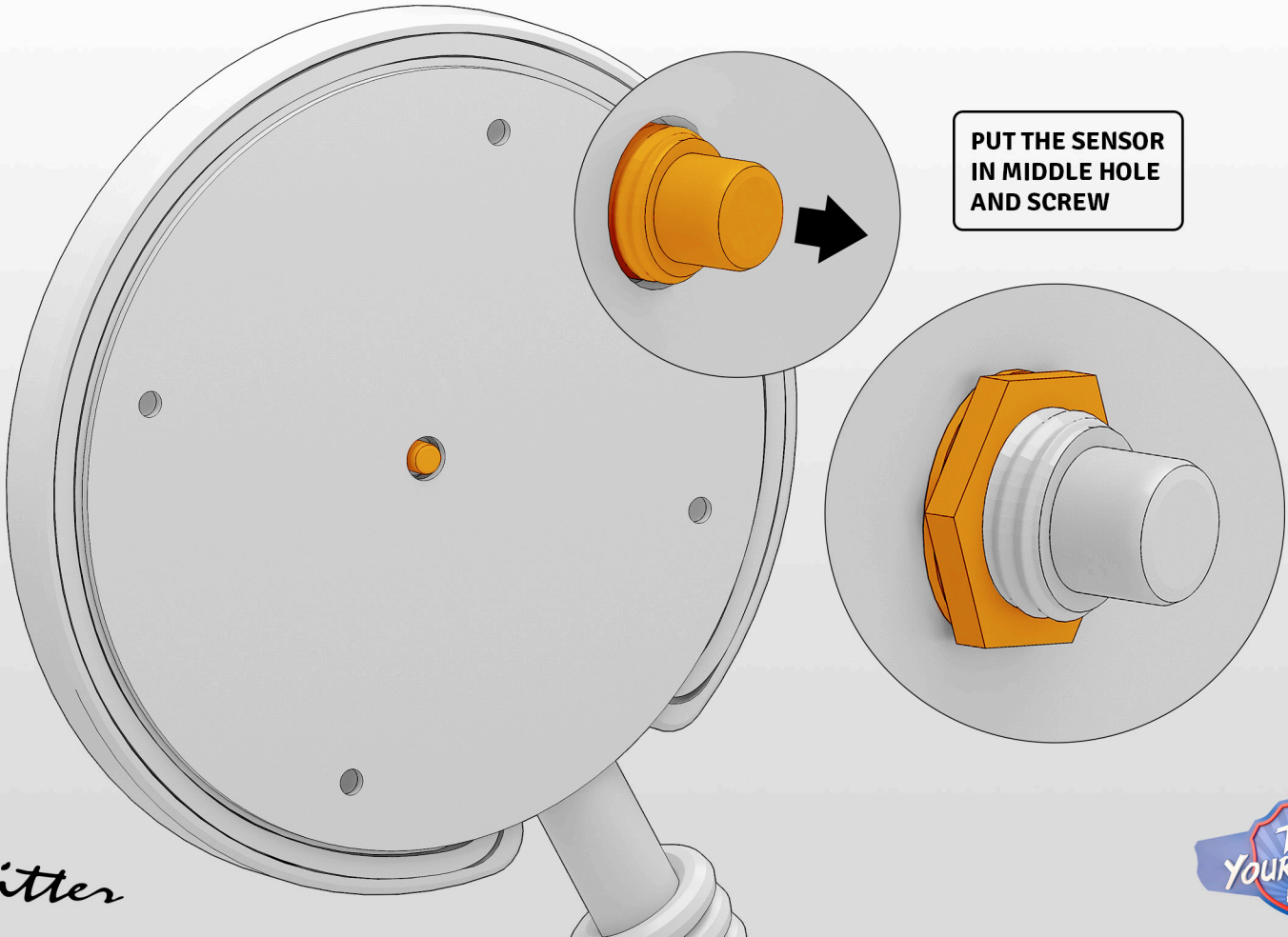
PILLOWS REPLACEMENT





# 06 Adjust the sensors to match new pillows

PILLOWS REPLACEMENT

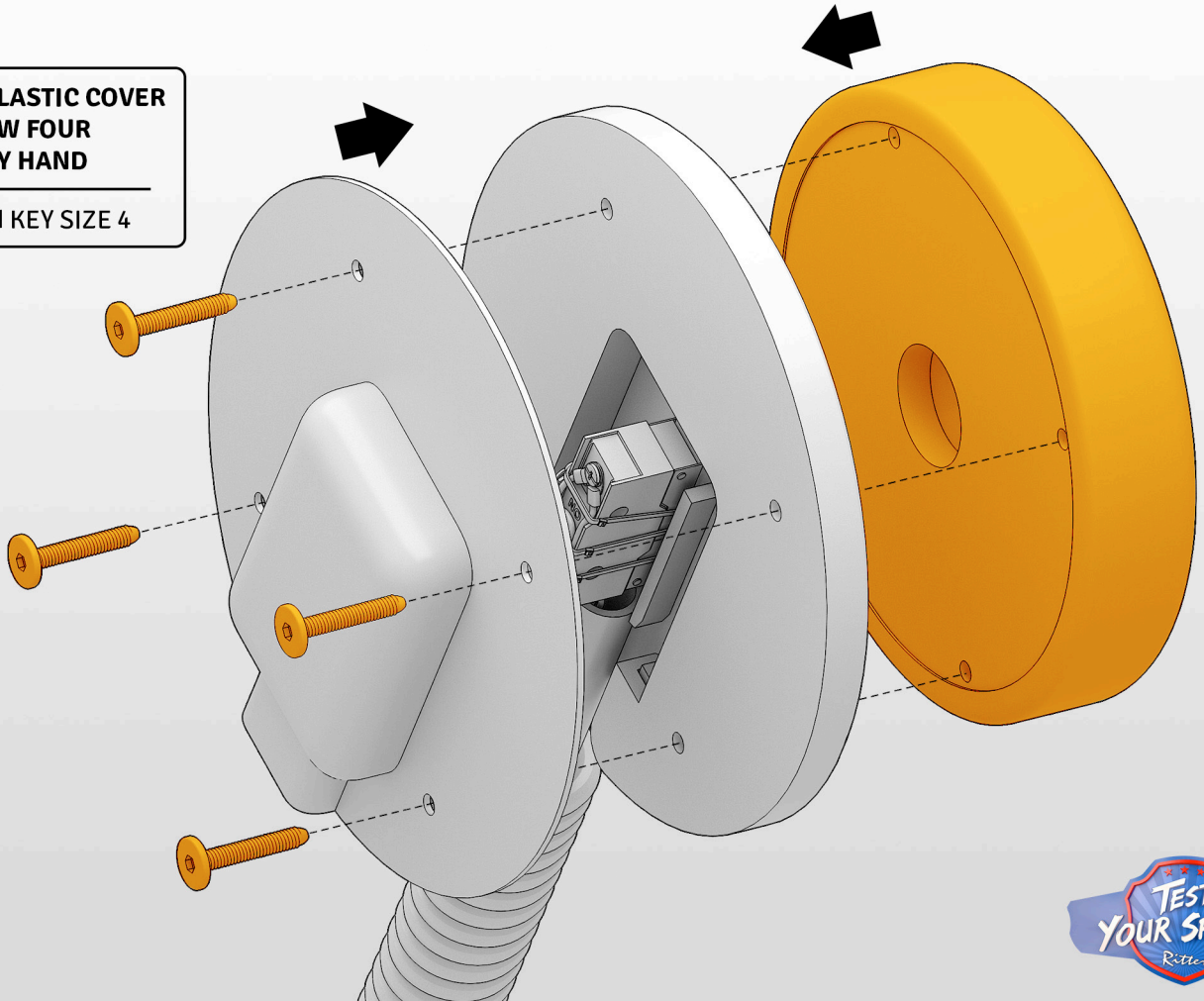


## 07 Install new pillow

PILLOWS REPLACEMENT

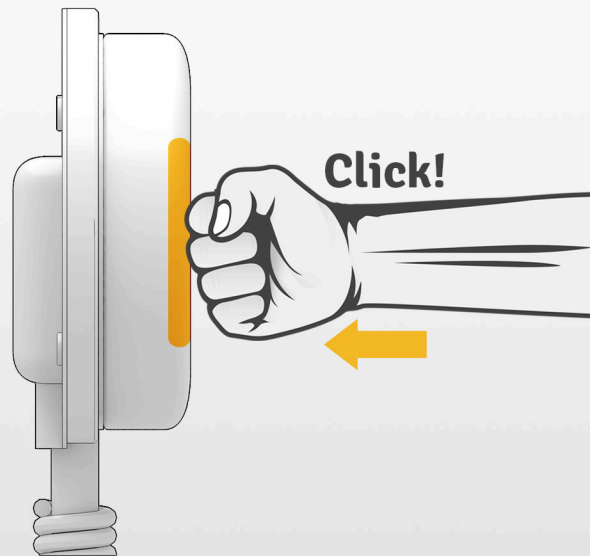
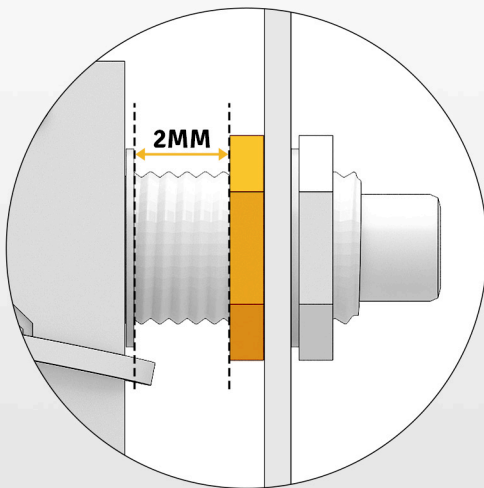
**PUT THE PLASTIC COVER  
AND SCREW FOUR  
SCREWS BY HAND**

**USE ALLEN KEY SIZE 4**





# Important!



The sensor is moved to the direction shown in the picture by about 2mm.  
After installing the cushion, check if you hear a characteristic “click” when you press the center of the cushion - **if you don't hear, move the sensor more.**