

Instruction of MMA 3.0

Please read this instruction before use the machine.

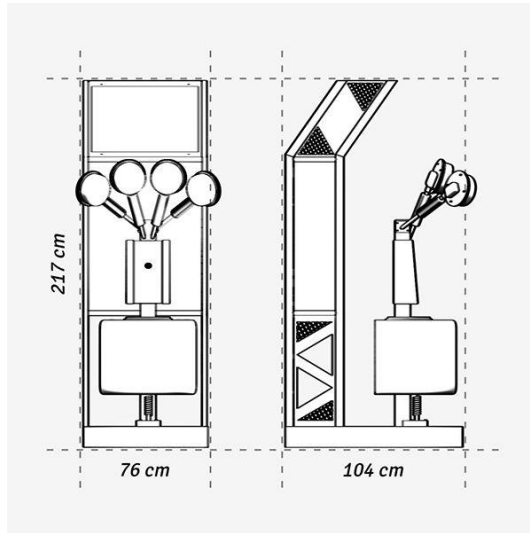


serwis@ritter-polska.pl

Content:

1. Technical specifications.....	3
2. Terms of use	4
3. Safety Precautions.....	5
4. Menu scheme	6
5. Settings	7
6. Update	8
7. Consignment content	8
8. Warranty terms	9
9. Spare parts	9
10. Contact	10

1. Technical specifications



Rated power supply: 110-240V

Dimensions: 125 x 100 x 220 cm

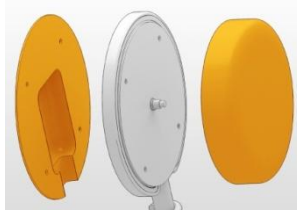
Weight: 200KG

2. Terms of use

The machine is powered with 230V/50Hz current. Always make sure the machine is unplugged before you do any maintenance. Only authorized staff may carry out any work on the machine. Under no circumstances should any plug or connector be pulled out or disconnected when the power is on. Make sure the plug and socket are properly grounded. Protect the mains cable against any damage. Oil and acid can damage the cable. Use proper extension cables and do not overload power sockets. Use only original spare parts.

Important!

Check the condition of the pads regularly to locate wear or foreign objects that may cause injury during use.



3. Safety Precautions

High voltage can cause electric shock

Some parts may cause scalding

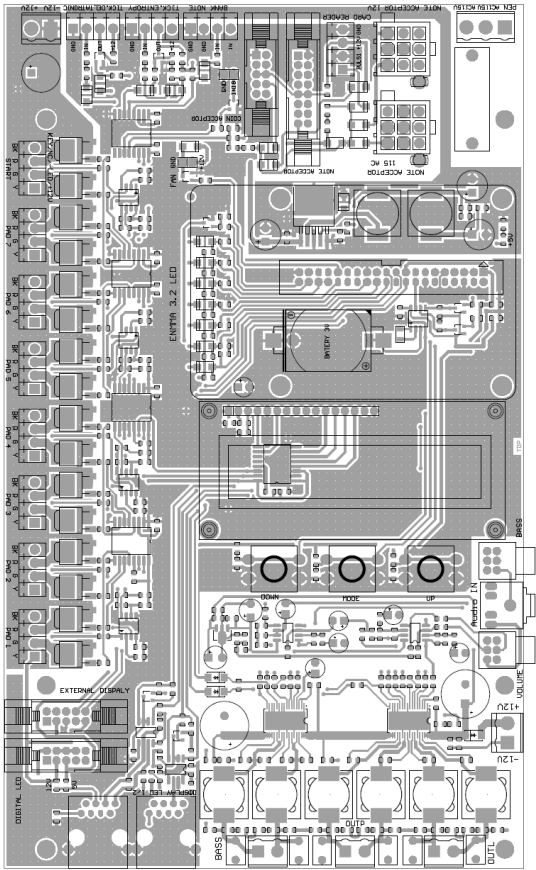
DO NOT put the machine on places uneven, sloping and easily be shaken.

Check wires and cables regularly.

Protect wires from damage by rats.

DO Not put the machine under the direct sunlight, it will damage the inside parts.

4. Menu scheme



5. Settings

Menu Motherboard JB5						Comments	
1	Coin/impulse	0.5				the smallest coin	
2	Start-impulse	2	<1 "free-play"			after how many coins the device starts	
3	Game time	00m25s				Game time	
4	Activate Bonus	active inactive				Active Bonus Inactive Bonus	
5	Set bonus	Imp4. Bon. 1	Imp1. Bon.0	Imp1. Bon.0	Back to menu	Set Bonus	
6	Demo	volume Repeat time Back to menu	100 600s			Demo volume Repeat Demo	
7	Hit point	1				how many points for one hit	
8	Sub. Game pts.	1				How many points are subtracted for a bad hit (in red)	
9	Pad change	3s				After what time of inactivity the active pads change	
10	Tickets	Active Inactive	Point/ticket 100	Highscore/ticket 1	Highscore/credit 1	Subtract point Back to menu	Ticket setting Ticket setting
11	Clear counts	Clear Points Cancel Clear	Clr. Money amount Cancel Clear	Clr.ticket count Cancel Clear	Back to menu	Counts	Counts
12	Change code	Write New Code 0***				Change code	Change code
13	Language	English				Language	Language
14	Serial no.	sn				Serial number	Serial number
15	Update	cancel/ download				software update	software update
16	Exit					Exit (acceptance of introduced changes)	Exit (acceptance of introduced changes)

6. Update

In the link below there is an instruction to download the update (news introduced in the electronics program)

[MMA Ritter/Update](#)

7. Consignment content

- Device
- Set of keys (panel of coin acceptor)
- Power cable (5m) (cashbox)

8. Warranty terms

Our device will be free from defects in electronics for a period of 12 months from the date of delivery.

Warranty include:

- Displays
- Mainboard
- Coin acceptor
- Power supplies
- LED driver
- LED lighting

Warranty terms do not cover parts not included above

It does not include damages which occurred due to misuse, unauthorized connection or modifications.

9. Spare parts

[Ritter/ Service](#)

10. Contact

Office

PPHU Ritter, ul. Rudzka 13B, 44-244 Żory, Poland

Tel: +48 602196802

Service

PPHU Ritter, ul. Mikołaja Reja 9, 44-244 Żory, Poland

+48 696533249

+48 602517542

+48 881968802

Type/Model.....

Device number.....

Electronic's name.....

Coin akceptor number.....

Buyers' name.....

Date of sell.....

